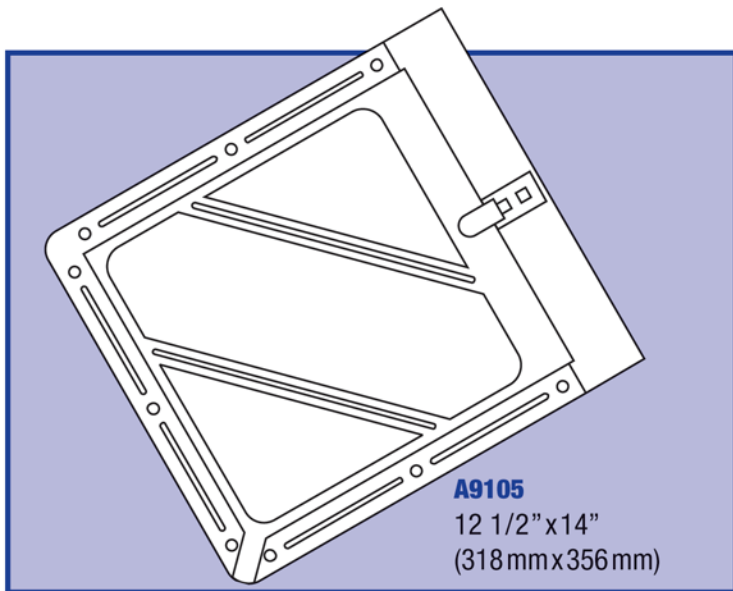


Placards

BAP Equipment Ltd.
 www.bapequipment.com
 Phone: 1-800-561-3600

T.D.G.

All North Safety placards are 10-3/4"x10-3/4" (273mmx273mm) and are made in either styrene, self-adhesive vinyl, self-adhesive reflective material and reflective material laminated on styrene. Available in package of 10.



PLACARD HOLDER

DAINGEROUS GOODS IDENTIFICATION PLACARD HOLDERS

Made of light, weather-resistant aluminum. This holder allows quick and easy changing of the identification placards for the various products carried in the vehicle.

CUSTOM PLACARD AVAILABLE ON ORDER

+
1075
=

SAFETY SIGNS FOR TRUCK

Retro-reflective material enhances safety on roadway by improving the visibility of trucks, trailers, automobiles and emergency vehicles. It resists dirt accumulation and is easy to apply.



- | | | | | |
|---|---|---|--|---|
| <p>TTR001
 12" x 96"
 (30,5x244cm)
 wide load
 aluminium</p> | <p>TTR004
 12" x 96"
 (30,5x244cm)
 wide load
 (roll-up)</p> | <p>TTR006
 slow vehicle
 steel</p> | <p>TTR007
 slow vehicle
 self adhesif</p> | <p>TTR008
 slow vehicle
 plastic</p> |
|---|---|---|--|---|

